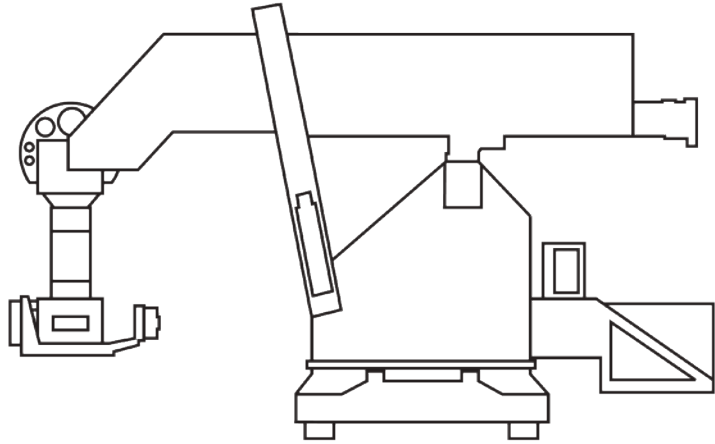


## MILO

MILO`S versatility, portability, range and high accuracy makes it the ideal choice for live-action shooting, animation or macro tabletop work. The MILO has a credit list of over 200 feature films and counting. The MILO won the Technical Oscar in 1999 and is still the standart for motion control in the world.



### Access/set up

The MILO together with 9 m tracks weights about 1 tonne and is ready for use after approximately 2 hours of set-up.

The shorter the access ways and more even the set-up site, the quicker it is to set up the MILO.

The 'clear width' of the doors should be 2.20m tall and 1.50m wide. Elevator cabins should be 3.50 m deep and be able to carry 1500 kg load.

The MILO and its equipment is delivered on a 7.5-tonne truck (L7.50m, W2.50m, H3.40m).

### Power supply

A separate power line for CEE 32, 63 or 125 Amp connectors are needed. Power connections to film lighting generators can be used without concern.

### Mounting cameras/lenses

Most film, video and digital cameras can be mounted onto the MILO camera platform with up to 35kg.

Special control cables are available to provide sync at different frame rates to ARRI Alexa and RED and PHANTOM camera models.

The lenses are fitted with motion controlled focus/zoom/iris motors and run by the MILO.

Mirror rigs used for stereoscopic 3d productions can be mounted onto the MILO with certain restrictions.

### Restrictions

The MILO is not sound-proof due to ventilation and the motor noises that it produces.

The MILO is not rain-proof since the electronics are built into the MILO directly. In such cases, the MILO can be shut down without losing any shoot data and covered on the spot until the rain has stopped. During light rain it is still possible to shoot if the MILO is partially covered.

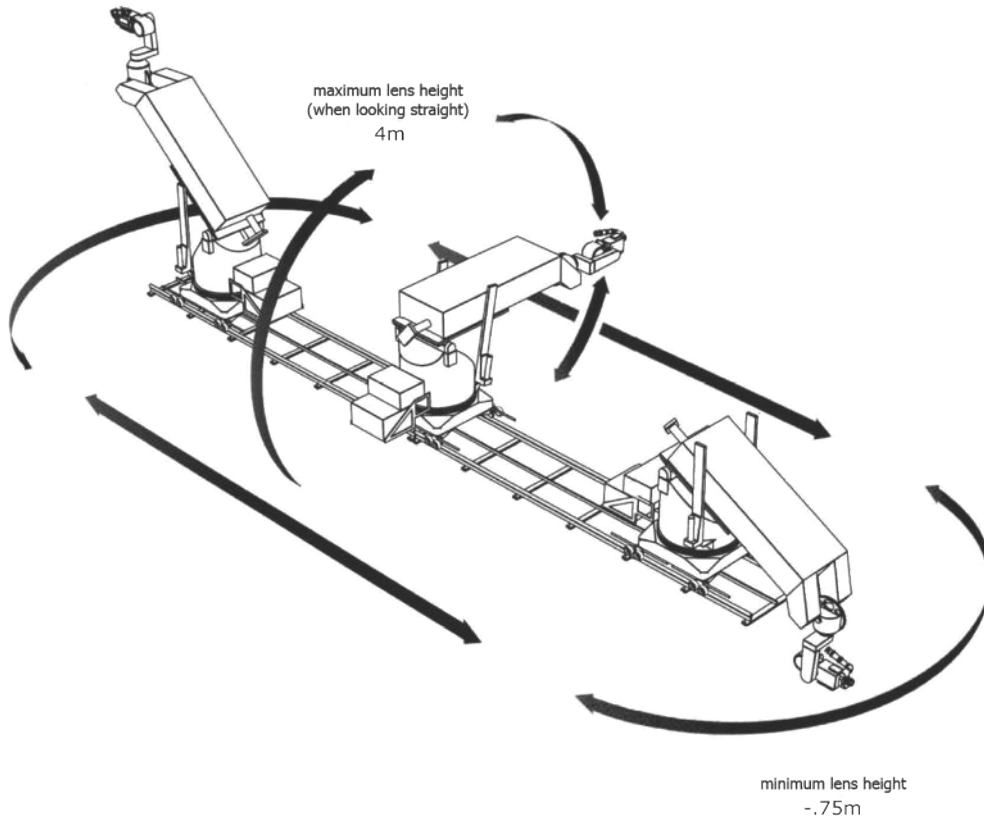
On tough to reach locations it is recommended to have a prior set visit or location pictures.

The MILO can also be lifted with a crane. Lifting harness will be provided. The weight varies between 550 to 750 kg based on accessories.

## Extras

A 10 m long and up to 1.6m steel podium is available on request to elevate the MILO (camera at 5.60m). A crane (e.g. towing service) is necessary to set up the MILO atop the podium.

Further equipment for motion control model moving can be provided upon request. These include a big turntable (capacity to carry cars up to 2.5 tonnes), smaller turntables, tracks and motors to build custom solutions.



## Specifications

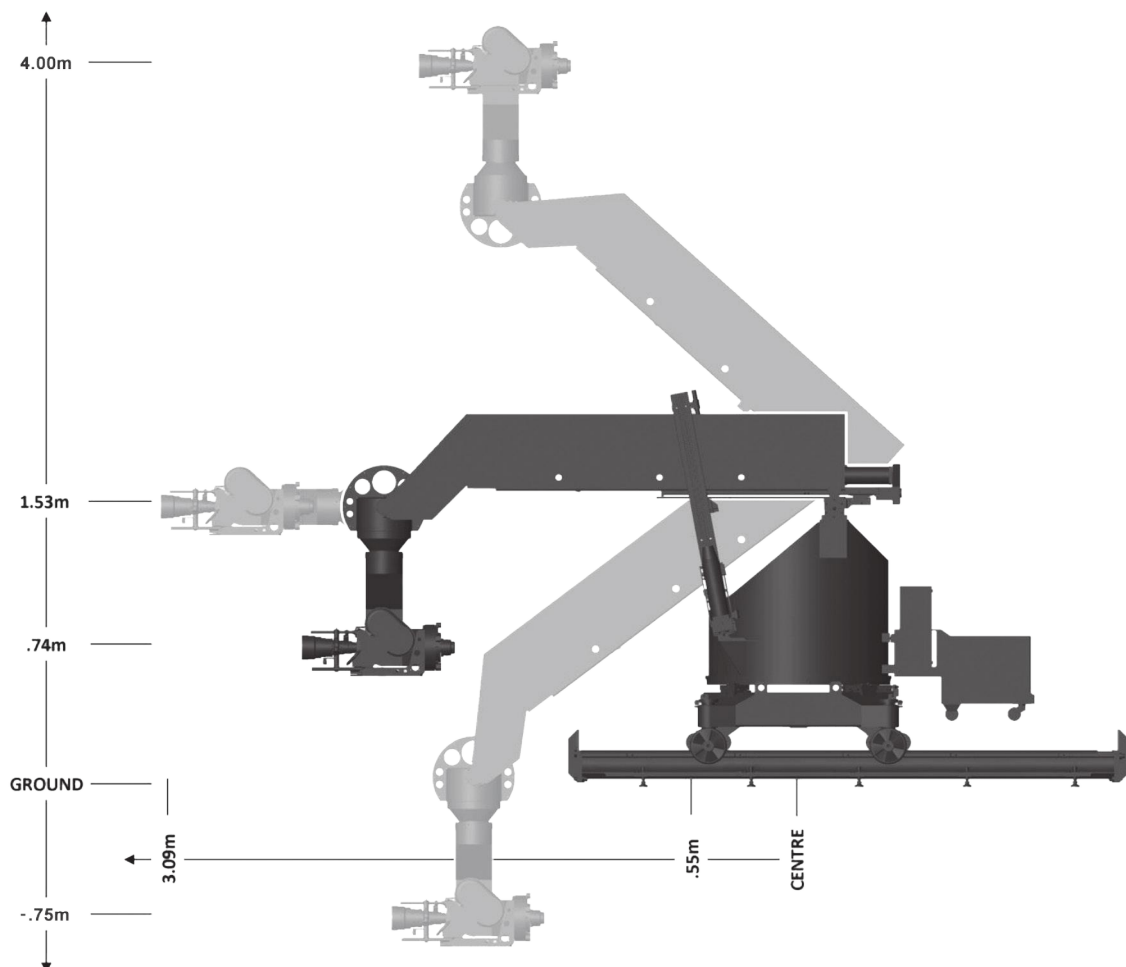
### Operating envelope

Maximum height	4.00m
Lowest position	-.75m
Maximum travel (from below floor)	4.96m
Maximum reach (from rotate centre)	3.09m
Maximum reach (from turret)	2.54m

### Rig performance

Axis	Range of travel	Maximum speeds
Track	as required in 3m lengths	2m per sec *
Rotate	unlimited	30 degrees per sec
Lift	+/- 45 degrees	24 degrees per sec
Arm Extend	1m	38cm per sec
Outer Arm	225 degrees	40 degrees per sec
Pan	unlimited	120 degrees per sec
Tilt	290 degrees	120 degrees per sec
Roll	unlimited	120 degrees per sec

\* Hamburg MILO is modified to 3.2m per sec



We reserve the right to change these specifications without notice. Spec dimensions dependent on type and size of camera used on the rig.